

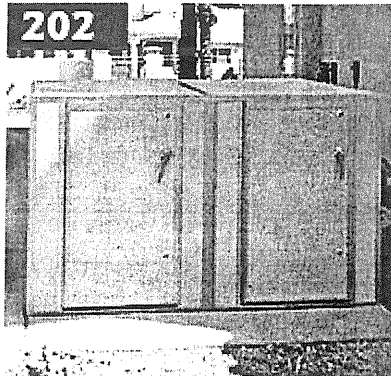
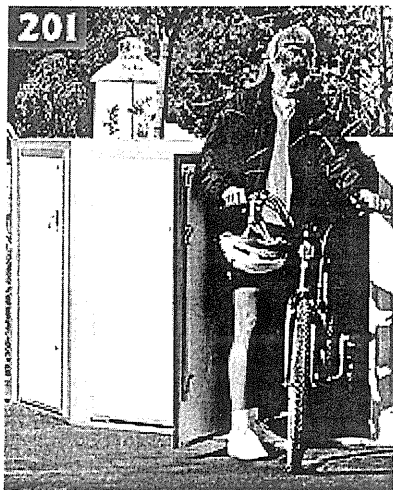
**Bike Lockers • Bike Racks • Locker Options • About Us • Contact Us • E-Mail**  
 Concepts, Projects & Testimonials • PDF Library • CSI 3 Part Specs Library • CAD Library • Links

**200 Series    300 Series    301 Vertical    350 Series    Solar-Shell**

# The Bike-Shell™ solution

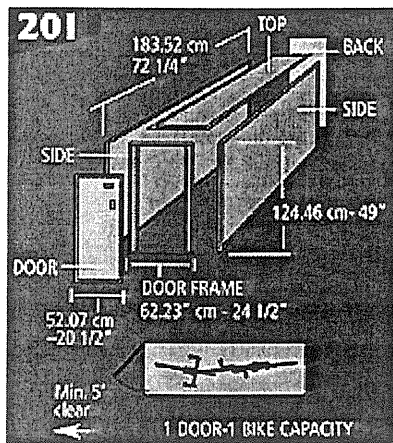
## Models 201-202

[go to PDF >>](#)

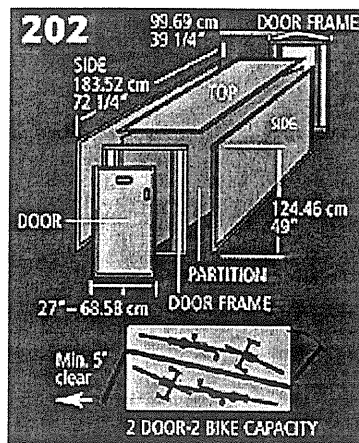


Standard color is Tan

[Photo Zoom +](#)



[Drawing Zoom +](#)  
[CAD drawings >](#)



[Drawing Zoom +](#)  
[CSI 3 Part Specs >](#)

- Models 201 & 202 are designed for the economically motivated buyer, using FRP materials with OSB core.

- An exterior of fiberglass reinforced plastic is highly resistant to impact and scratching.

- The outer finish never needs painting, will not rust or corrode and is extremely resistant to most stains & chemicals.

- [Wheelchair Lockers #201CW](#)

- [Motorcycle Lockers #201M.](#)

- [Equipment Lockers #201CW.](#)

[Contact for info.](#)

- Call for more information:  
 1-800-245-3723  
 1-805-933-3688  
 Fax: 1-805-933-1865

# AMERICAN BICYCLE SECURITY CO.

## BIKE-SHELL

Div. of Turtle Storage, Ltd.

### NET GSA PRICE LIST

#### 350 SERIES - Molded FRP shipped KD

*OUR BEST* - Modern attractive design of molded fiberglass reinforced plastic. Long life in all weather conditions. Standard with pop out MEDECO T-Handle lock (3 keys) recessed in door face and internal locking bar system. Standard with stainless steel louvered vents on doors and door number plates. Choice of seven std. colors. More durable and graffiti resistant than roto-mold and does not rust or need painting like metal. Call for material comparison.

Model Description	Dimensions	Price
352 2 door, 2 bicycle capacity.	49"H x 40"W x 74 2"L	\$1688.63 / unit

#### 300 SERIES - Molded FRP one piece construction - NO Assembly required

*MID PRICED* - A mid priced modern attractive design of molded fiberglass reinforced plastic. One piece design - NO assembly required. Long life in all weather conditions. Can be free standing or arranged in groups. Standard with Chicago ACE II pop out T-Handle lock (3 keys) and internal locking bar system. Standard colors Tan & Medium Gray. *Floors available for all 300 Series lockers, installed at factory \* Stacking/2 Tier available*

Model Description	Dimensions	Price
301 1 door, 1 bicycle capacity.	49"H x 30"W x 74 2"L	\$ 888.00
301P 1 door, 1 bicycle wedge shape.	49"H x 30"WF x 4"WB x 72"L	\$ 828.76
302 2 door, 2 bicycle capacity.	49"H x 40"W x 74 2"L	\$ 1073.17
<b>VERTICAL PARKING LOCKERS</b>		
301V 1 door, 1 bicycle vertical.	74"H x 30"WF x 5"WB x 54" Deep	\$ 1065.76

#### 200 SERIES

*ECONOMICAL* - The most economical high security bike locker on the market. FRP finish exterior and smooth white HDPE interior finish with exterior grade OSB core. Panels joined by extruded commercial anodized aluminum frame. Standard with pop out T-Handle lock and internal locking bar system. Standard color Tan & Gold trim.

Model Description	Dimensions	Price
201 1 door, 1 bicycle capacity.	49"H x 24 2"W x 72 1/4"L	<del>\$ 562.13</del>
202 2 door, 2 bicycle capacity.	49"H x 39 1/4"W x 72 1/4"L	<del>\$ 673.31</del>

#### 350 & 200 SERIES LOCKERS SHIPPED KNOCKED DOWN

Additional Styles & Custom lockers available for storage, wheelchairs, golf bags, sporting equipment, etc., call for info.

#### BIKE LOCKER OPTIONS & ACCESSORIES

Model Description	Price
010 Padlock locking System. Padlock not included.	No Charge

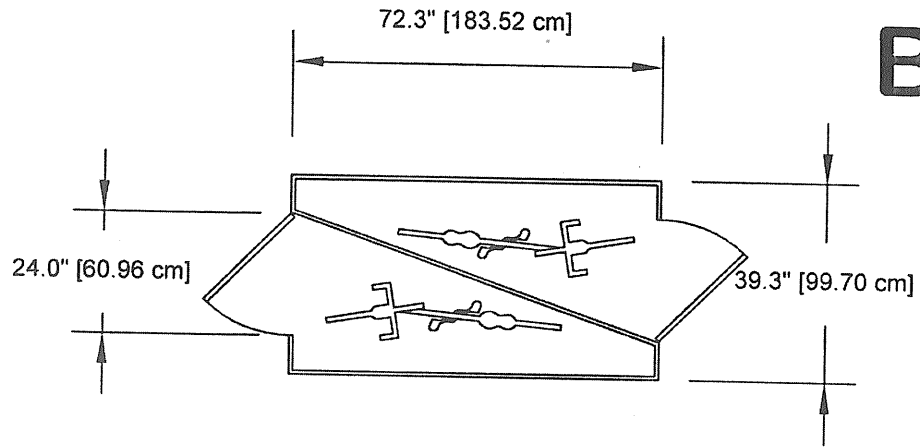
INSTALLATION IS AVAILABLE IN MANY AREAS CALL FOR MORE INFORMATION OR QUOTE.

**LOCKERS MUST BE INSTALLED ON AN ADEQUATELY CONSTRUCTED PAD OR WARRANTY IS VOID.**

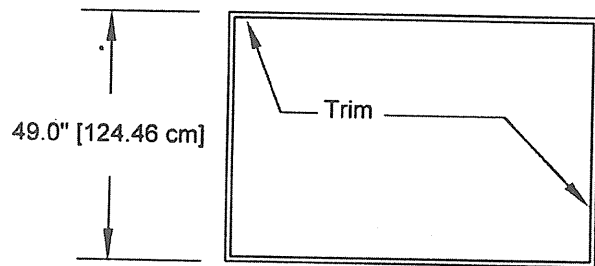
#### Limited Warranty

American Bicycle Security Co. warrants that all of its products are guaranteed against defective material or poor workmanship for a period of one year from date of shipment. AMERICAN BICYCLE SECURITY CO.'s liability under this warranty shall be discharged by furnishing without charge F.O.B. Santa Paula, CA any goods, or part thereof, which shall appear to the company upon inspection to be of defective material or not of first class workmanship, provided that claim is made in writing to company within a reasonable period after receipt of the product. Where claims for defects are made, the defective part or parts shall be delivered to the company, prepaid, at Santa Paula, CA, for inspection. AMERICAN BICYCLE SECURITY CO. will not be liable for the cost of repairs, alterations, or replacements, or for any expense connected therewith made by the owner or his agents, except upon written authority from the AMERICAN BICYCLE SECURITY CO., Santa Paula office. AMERICAN BICYCLE SECURITY CO. will not be liable for any damages caused by defective materials or poor workmanship, except for replacement as provided above.

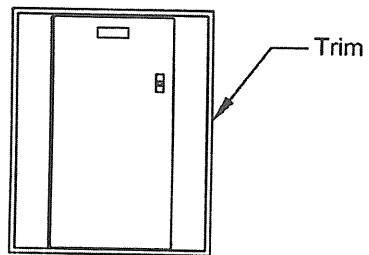
# Bike Shell Model 202



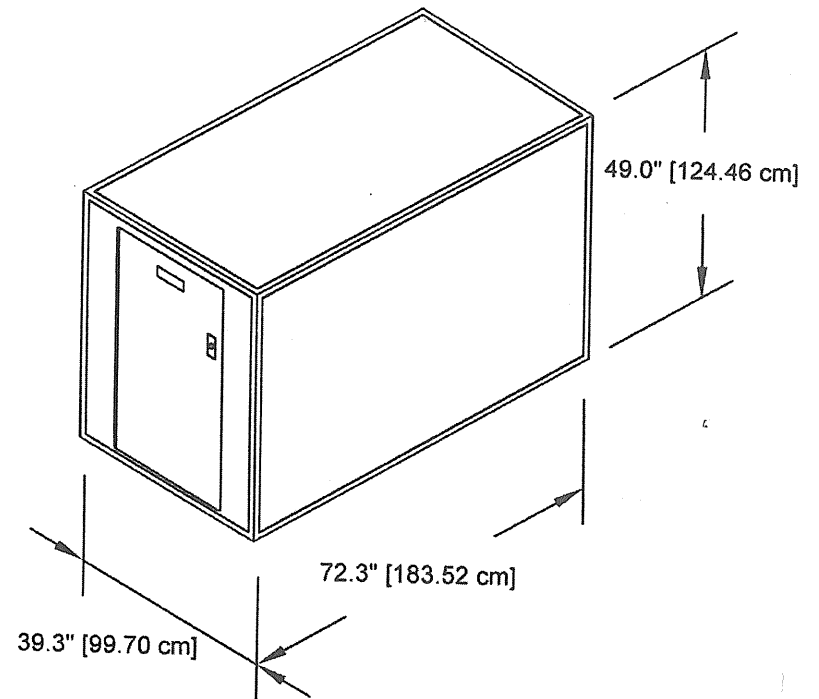
**PLAN**



**SIDE**



**END**



# Bike Shell Model 201

